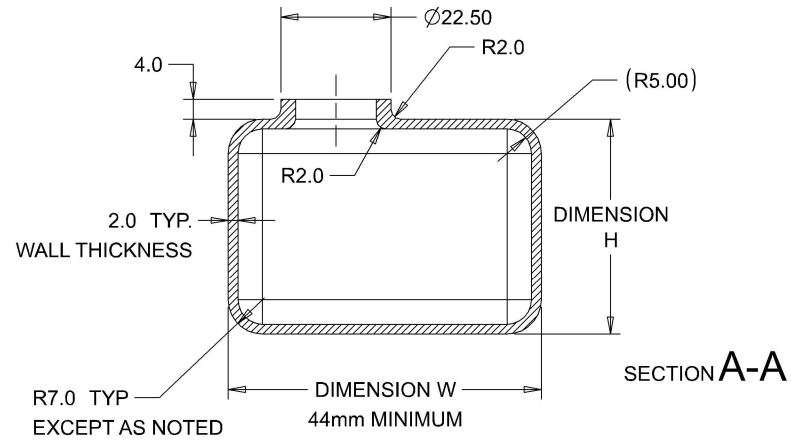
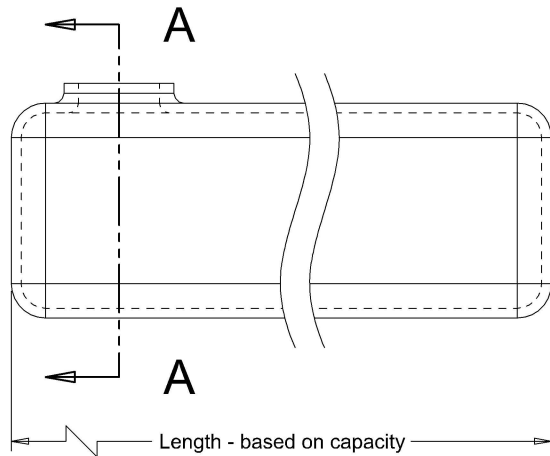
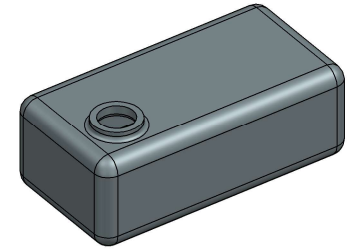


**CUSTOM TANK SPECIFICATIONS**  
 DIMENSION H: \_\_\_\_\_ mm  
 DIMENSION W: \_\_\_\_\_ mm (44 MIN)  
 CAPACITY: \_\_\_\_\_ cm<sup>3</sup>



DIMENSIONS ARE IN MILLIMETERS

TOLERANCES ARE:	DECIMALS	ANGLES	SURFACE FINISH
	.X ± .5	± .5°	3.2
	.XX ± .25		✓
MACHINED/PART FEATURES		CAST FEATURES	
	Ⓜ 1.50		Ⓜ 1.50

- UNLESS OTHERWISE SPECIFIED:
- WHERE DIMENSIONS ARE SPECIFIED ON THE DRAWING, THE DRAWING IS THE AUTHORITY FOR DIMENSIONAL VALUES.
  - WHERE DIMENSIONS ARE NOT SPECIFIED ON THE DRAWING, THE DIGITAL MODEL IS THE AUTHORITY FOR DIMENSIONAL VALUES.
  - DIMENSIONS OBTAINED FROM THE MODEL ARE BASIC AND ARE ROUNDED TO TWO DECIMAL PLACES.
  - FEATURES OBTAINED FROM THE DIGITAL MODEL CAN BE QUALIFIED TO THE PROFILE TOLERANCE AS STATED ABOVE.
  - THE DIGITAL MODEL MUST CORRESPOND TO THE REV LEVEL OF THE DRAWING

ZONE	REV.	BY	DESCRIPTION	DATE	APPROVED
			REVISION		
MATERIAL		THIRD ANGLE PROJECTION		ET Engineering Technology	
LDPE		APPROVALS	DATE		
FINISH		DRAWN		M40 FUEL TANK -CUSTOM	
NATURAL		R. HEWITT		08/23/2023	
KEY PRODUCT CHARACTERISTICS		PROJECT ENGINEER			
SAFETY /COMPLIANCE	FIT /FUNCTION	CHECKED	SIZE	PART NO.	DWG. NO.
⚠	◇		B	###	###
TOTAL ON DRAWING	LAST NUMBER USED	DO NOT SCALE DRAWING	SCALE 1:1	SHEET 1 OF 2	
					REV NC

REFERENCE DRAWINGS	NUMBER
--------------------	--------