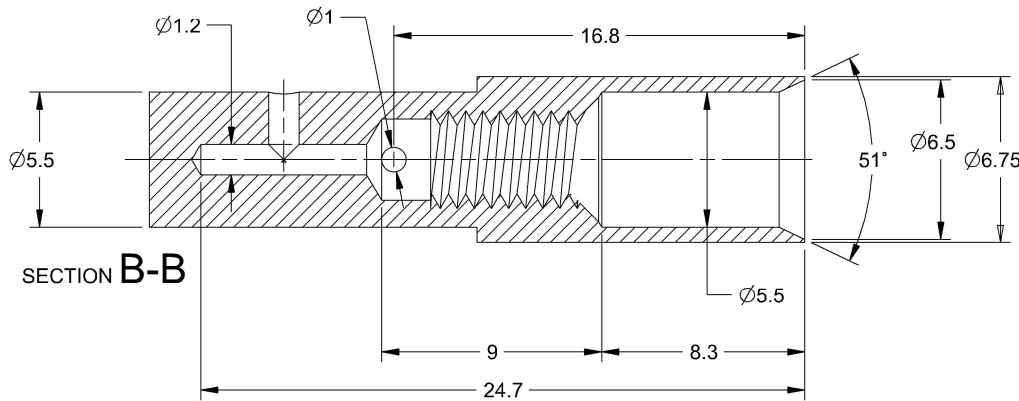
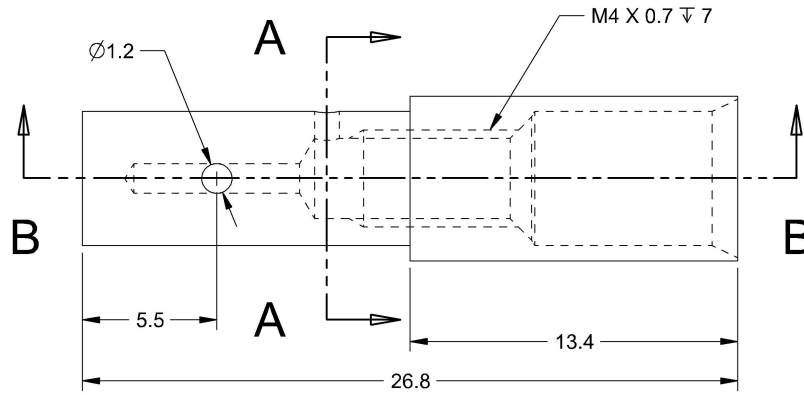
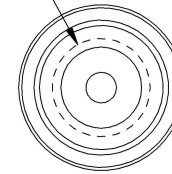


SECTION A-A



M4 X 0.7 ∇ 7
 $\surd \phi 4 \times 90^\circ$



MATERIAL: 1020 CRS

DIMENSIONS ARE IN MILLIMETERS
 TOLERANCES ARE:
 DECIMALS ANGLES SURFACE FINISH
 .X \pm .5 \pm .5° 3.2
 .XX \pm .25 ∇
 MACHINED/PART FEATURES CAST FEATURES
 [1.50] [1.50]
 UNLESS OTHERWISE SPECIFIED:
 1) WHERE DIMENSIONS ARE SPECIFIED ON THE DRAWING, THE DRAWING IS THE AUTHORITY FOR DIMENSIONAL VALUES.
 2) WHERE DIMENSIONS ARE NOT SPECIFIED ON THE DRAWING, THE DIGITAL MODEL IS THE AUTHORITY FOR DIMENSIONAL VALUES.
 3) DIMENSIONS OBTAINED FROM THE MODEL ARE BASIC AND ARE ROUNDED TO TWO DECIMAL PLACES.
 4) FEATURES OBTAINED FROM THE DIGITAL MODEL CAN BE QUALIFIED TO THE PROFILE TOLERANCE AS STATED ABOVE.
 5) THE DIGITAL MODEL MUST CORRESPOND TO THE REV LEVEL OF THE DRAWING

| ZONE | REV. | BY | DESCRIPTION | DATE | APPROVED |
|-----------------------------|--------------------------|----|------------------------|---------------------------|--------------|
| | | | REVISION | | |
| MATERIAL | | | THIRD ANGLE PROJECTION | ET Engineering Technology | |
| SEE NOTE | | | APPROVALS | DATE | |
| FINISH | | | R. HEWITT | 08/23/2023 | VALVE BODY |
| KEY PRODUCT CHARACTERISTICS | | | CHECKED | SIZE | PART NO. |
| ∇ SAFETY /COMPLIANCE | \diamond FIT /FUNCTION | | | B | ### |
| TOTAL ON DRAWING | - | | DO NOT SCALE DRAWING | SCALE 1:1 | DWG. NO. ### |
| LAST NUMBER USED | - | | | | REV NC |
| | | | | SHEET 1 OF 1 | |

REFERENCE DRAWINGS

NUMBER