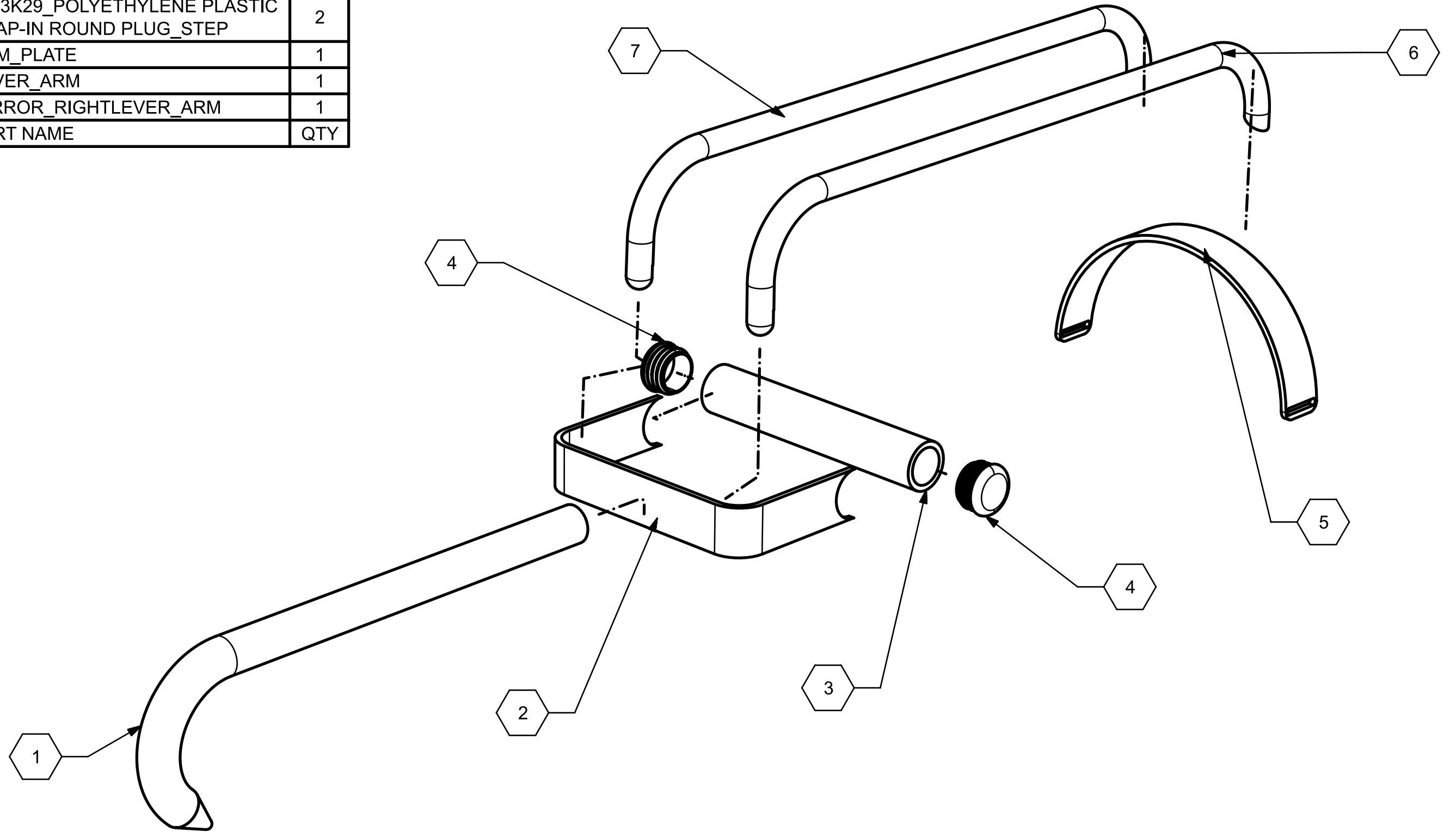
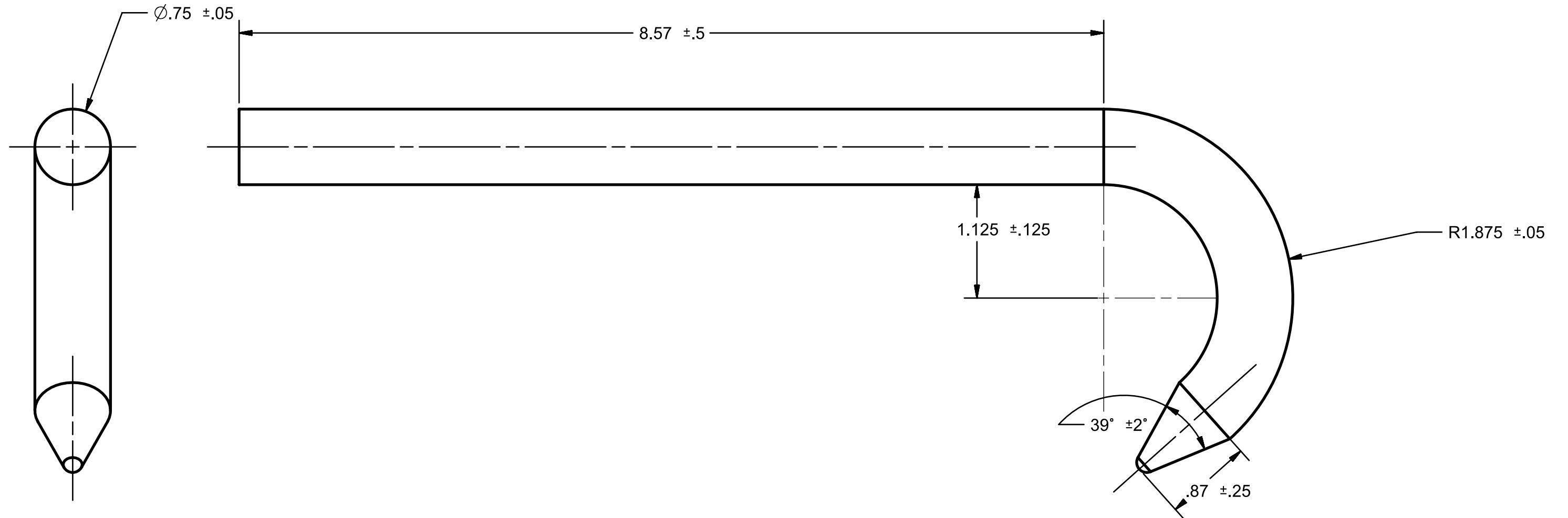
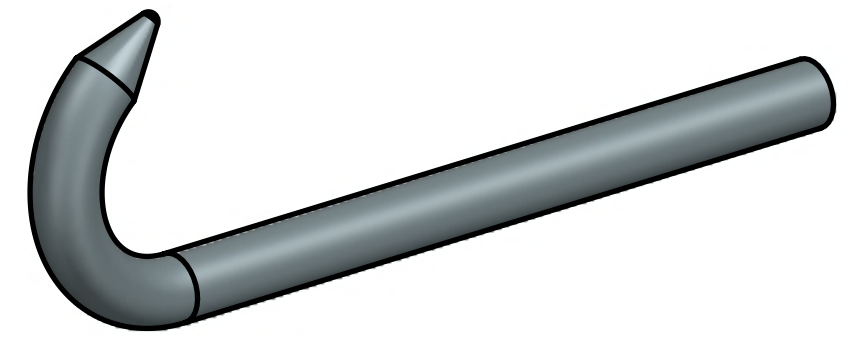


PC NO	PART NAME	QTY
1	HOOK	1
2	SHEILD	1
3	HANDLE	1
4	9283K29_POLYETHYLENE PLASTIC SNAP-IN ROUND PLUG_STEP	2
5	ARM_PLATE	1
6	LEVER_ARM	1
7	MIRROR_RIGHTLEVER_ARM	1



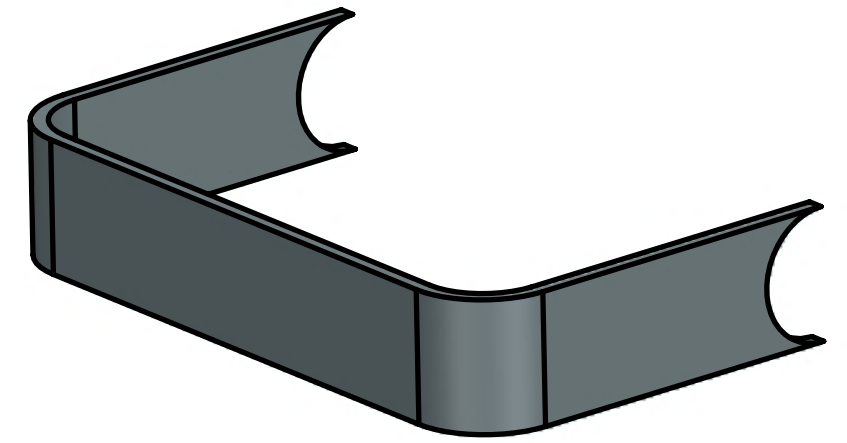
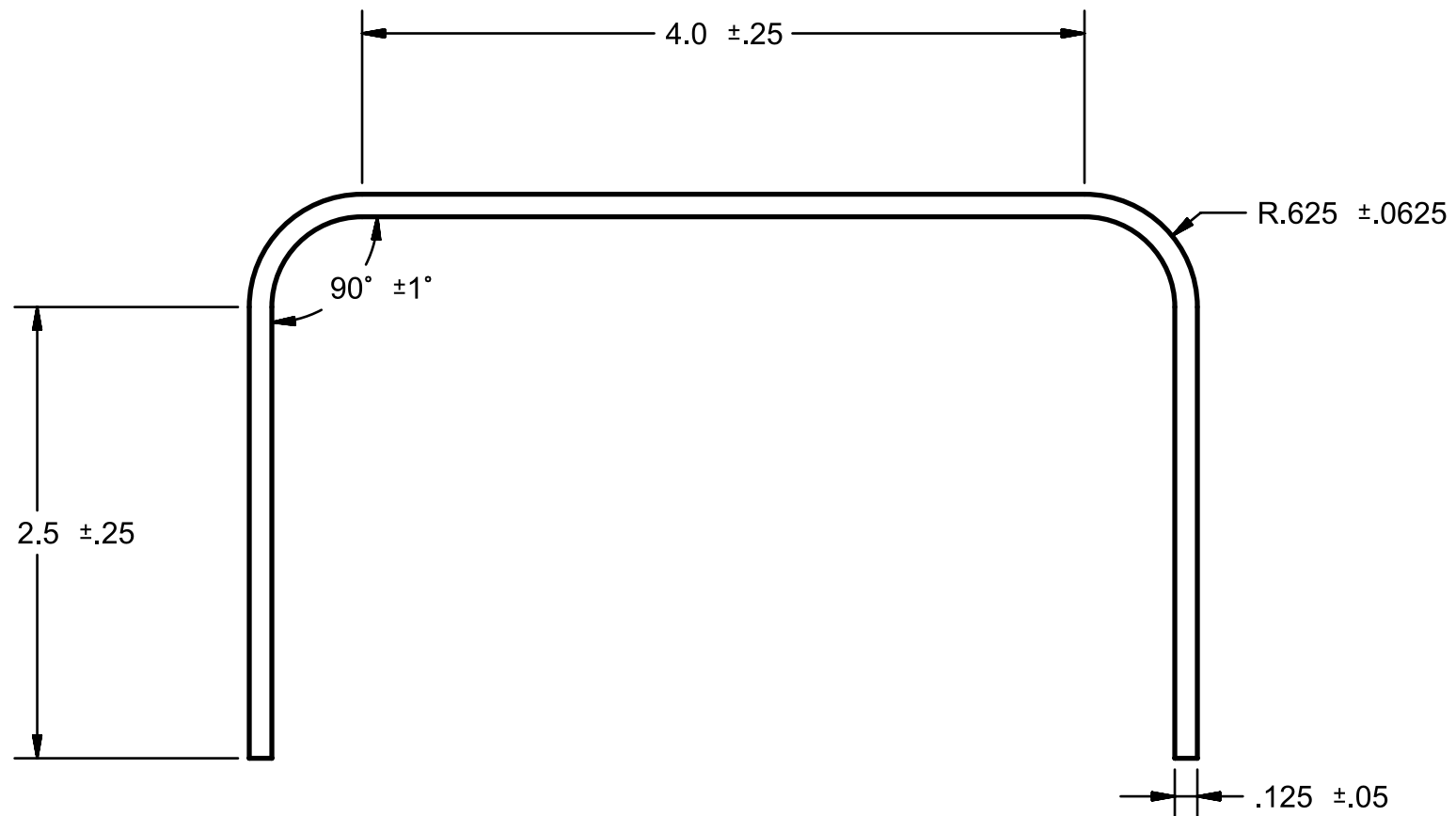
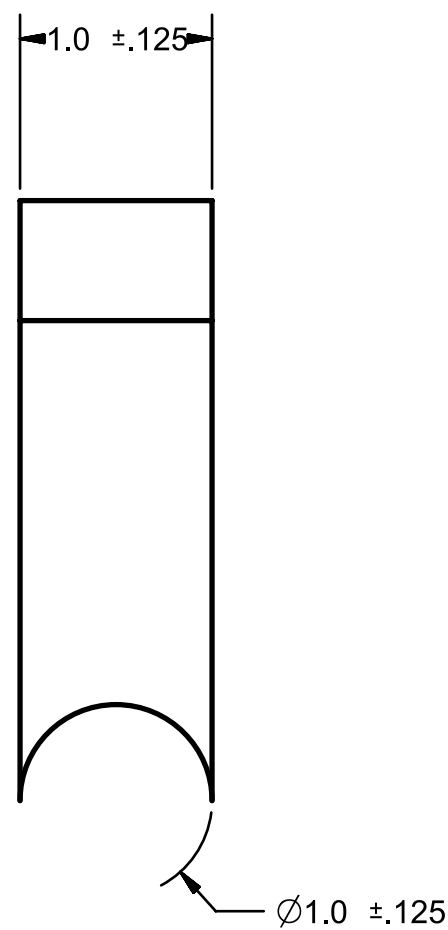


DIMENSIONS ARE IN INCHES		
TOLERANCES ARE:	ANGLES	SURFACE FINISH
DECIMALS		
.XX ± .02	± .5°	64
.XXX ± .010		✓
MACHINED/PART FEATURES	CAST FEATURES	
.02	.06	

- UNLESS OTHERWISE SPECIFIED:
- WHERE DIMENSIONS ARE SPECIFIED ON THE DRAWING, THE DRAWING IS THE AUTHORITY FOR DIMENSIONAL VALUES.
  - WHERE DIMENSIONS ARE NOT SPECIFIED ON THE DRAWING, THE DIGITAL MODEL IS THE AUTHORITY FOR DIMENSIONAL VALUES.
  - DIMENSIONS OBTAINED FROM THE MODEL ARE BASIC AND ARE ROUNDED TO TWO DECIMAL PLACES.
  - FEATURES OBTAINED FROM THE DIGITAL MODEL CAN BE QUALIFIED TO THE PROFILE TOLERANCE AS STATED ABOVE.
  - THE DIGITAL MODEL MUST CORRESPOND TO THE REV LEVEL OF THE DRAWING

ZONE	REV.	BY	DESCRIPTION	DATE	APPROVED
			REVISION		
MATERIAL		THIRD ANGLE PROJECTION		ET Engineering Technology	
1018 CR ROUND BAR				HOOK	
FINISH		APPROVALS	DATE		
		COLLIN HILL	10/02/2023		
KEY PRODUCT CHARACTERISTICS		CHECKED		SIZE	PART NO.
SAFETY /COMPLIANCE	FIT /FUNCTION			B	001
TOTAL ON DRAWING		DO NOT SCALE DRAWING		DWG. NO.	REV
LAST NUMBER USED		SCALE 1:1		001	A
				SHEET 1 OF 1	

REFERENCE DRAWINGS	NUMBER



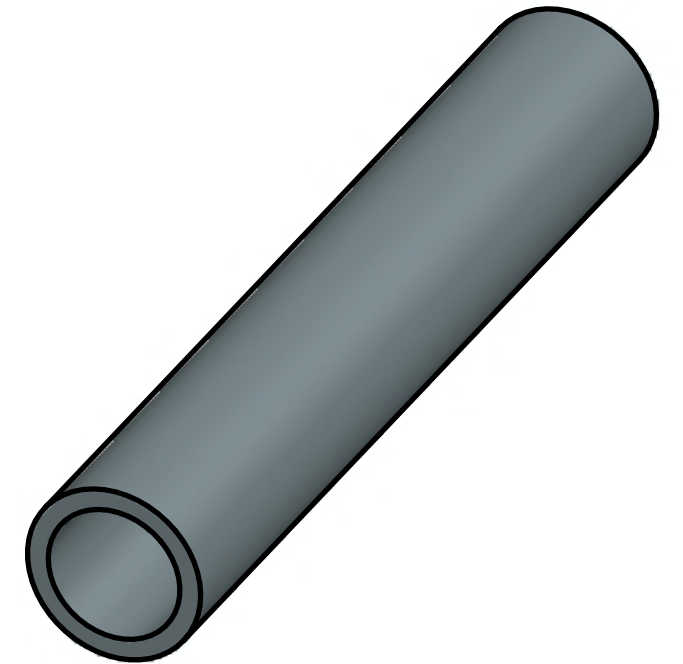
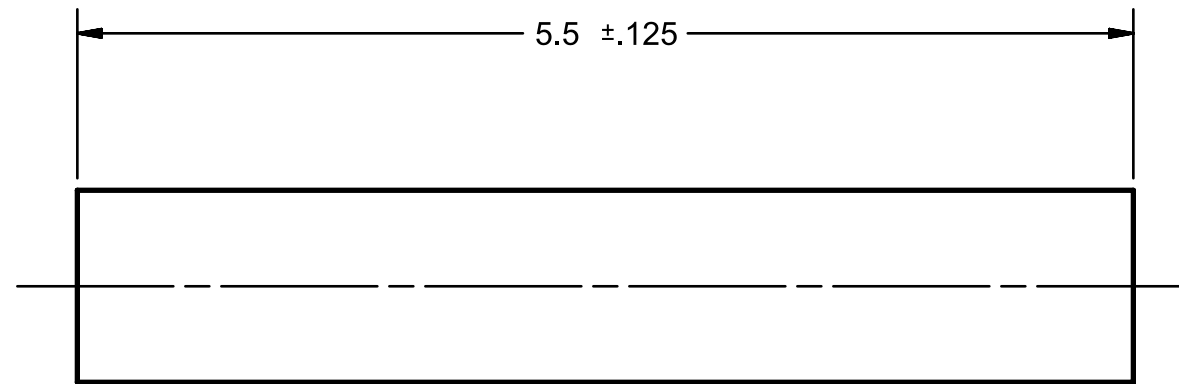
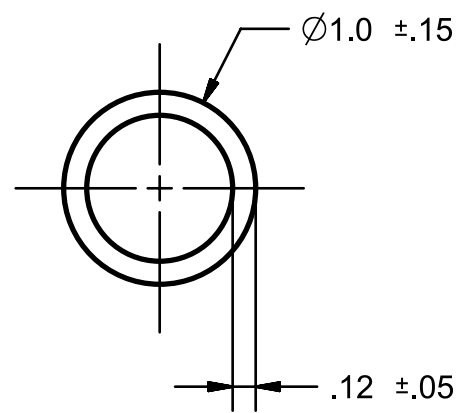
DIMENSIONS ARE IN INCHES

TOLERANCES ARE:		SURFACE FINISH
DECIMALS	ANGLES	64
.XX ± .02	± .5°	✓
.XXX ± .010	CAST FEATURES	
MACHINED/PART FEATURES		
.02	.06	

- UNLESS OTHERWISE SPECIFIED:
- WHERE DIMENSIONS ARE SPECIFIED ON THE DRAWING, THE DRAWING IS THE AUTHORITY FOR DIMENSIONAL VALUES.
  - WHERE DIMENSIONS ARE NOT SPECIFIED ON THE DRAWING, THE DIGITAL MODEL IS THE AUTHORITY FOR DIMENSIONAL VALUES.
  - DIMENSIONS OBTAINED FROM THE MODEL ARE BASIC AND ARE ROUNDED TO TWO DECIMAL PLACES.
  - FEATURES OBTAINED FROM THE DIGITAL MODEL CAN BE QUALIFIED TO THE PROFILE TOLERANCE AS STATED ABOVE.
  - THE DIGITAL MODEL MUST CORRESPOND TO THE REV LEVEL OF THE DRAWING

ZONE	REV.	BY	DESCRIPTION	DATE	APPROVED
REVISION					
MATERIAL			THIRD ANGLE PROJECTION	ET Engineering Technology	
HF/1251 .125" X 1" FLAT			APPROVALS	DATE	SHEILD
FINISH			COLLIN HILL	10/02/2023	
KEY PRODUCT CHARACTERISTICS			CHECKED		
SAFETY /COMPLIANCE			FIT /FUNCTION	SIZE	PART NO.
TOTAL ON DRAWING			DO NOT SCALE DRAWING	B	002
LAST NUMBER USED			SCALE 1:1	DWG. NO.	002
				REV	A
				SHEET 1 OF 1	

REFERENCE DRAWINGS	NUMBER
--------------------	--------



DIMENSIONS ARE IN INCHES

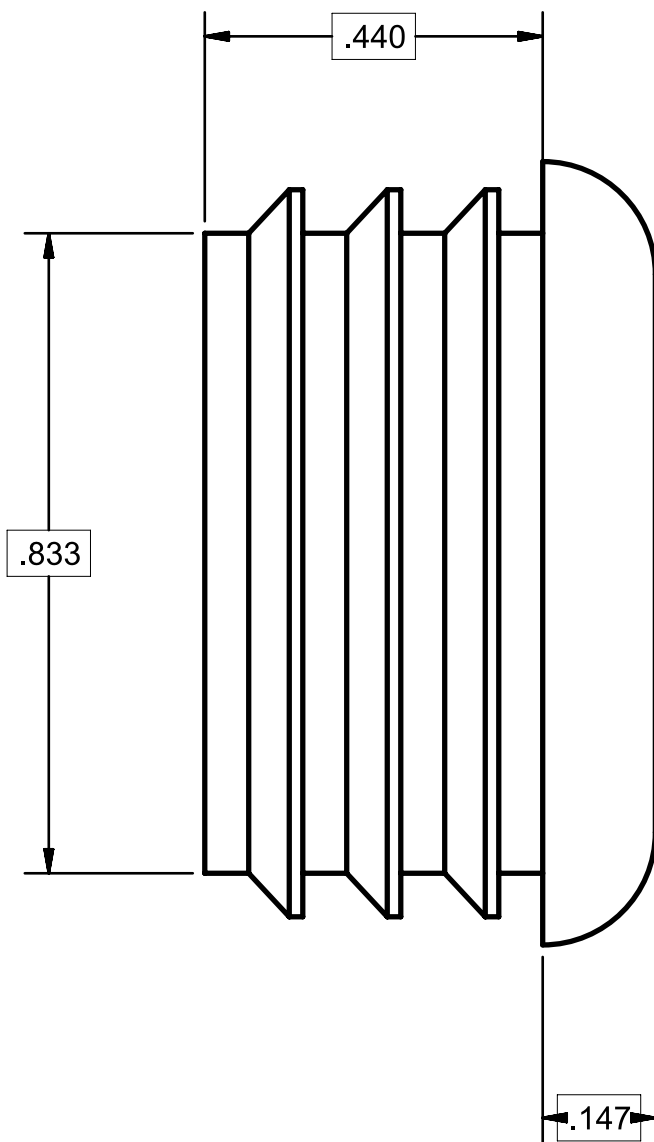
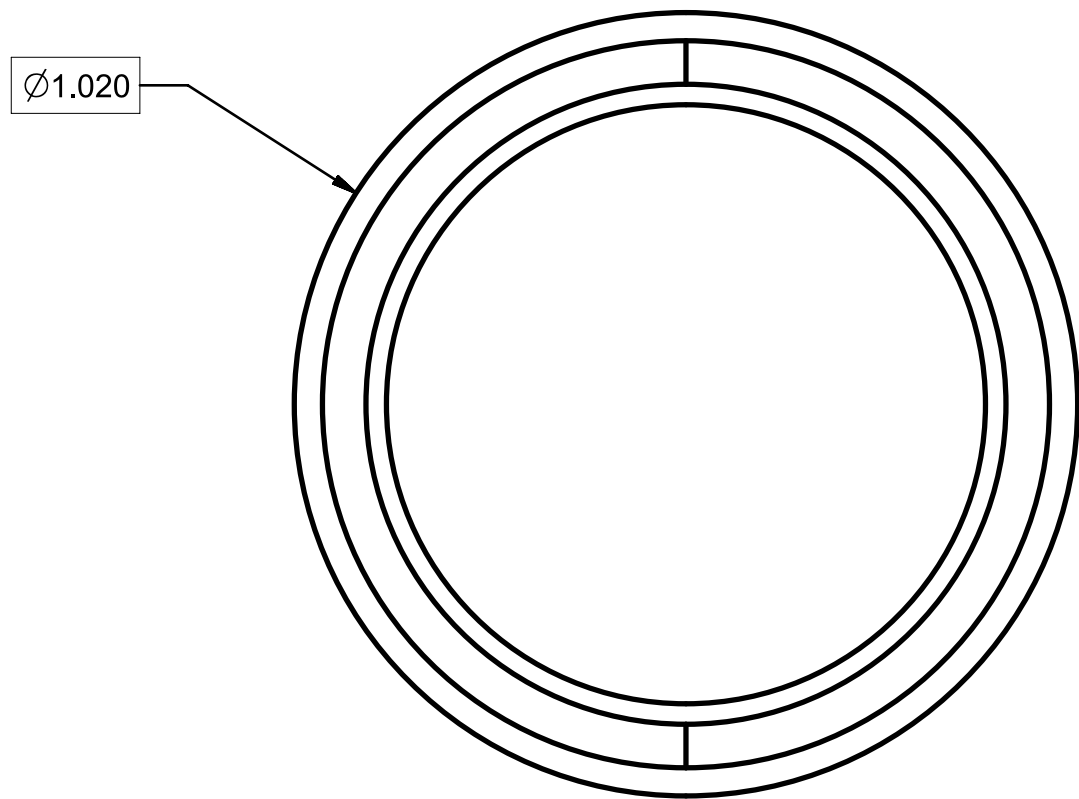
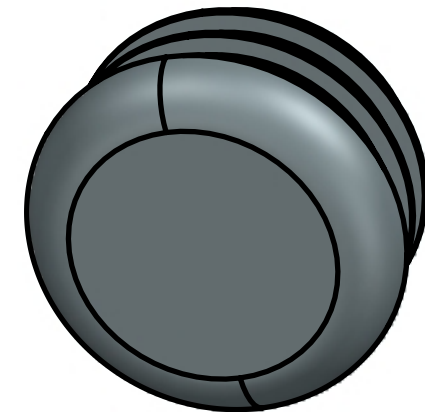
TOLERANCES ARE:

DECIMALS	ANGLES	SURFACE FINISH
.XX ± .02	± .5°	64 ✓
.XXX ± .010	CAST FEATURES	
.02	.06	

- UNLESS OTHERWISE SPECIFIED:
- WHERE DIMENSIONS ARE SPECIFIED ON THE DRAWING, THE DRAWING IS THE AUTHORITY FOR DIMENSIONAL VALUES.
  - WHERE DIMENSIONS ARE NOT SPECIFIED ON THE DRAWING, THE DIGITAL MODEL IS THE AUTHORITY FOR DIMENSIONAL VALUES.
  - DIMENSIONS OBTAINED FROM THE MODEL ARE BASIC AND ARE ROUNDED TO TWO DECIMAL PLACES.
  - FEATURES OBTAINED FROM THE DIGITAL MODEL CAN BE QUALIFIED TO THE PROFILE TOLERANCE AS STATED ABOVE.
  - THE DIGITAL MODEL MUST CORRESPOND TO THE REV LEVEL OF THE DRAWING

ZONE	REV.	BY	DESCRIPTION	DATE	APPROVED
REVISION					
MATERIAL			THIRD ANGLE PROJECTION		<b>ET</b> Engineering Technology
CTR1020D/1120			APPROVALS	DATE	
FINISH			DRAWN	HANDLE	
			COLLIN HILL		
KEY PRODUCT CHARACTERISTICS			GROUP		
SAFETY / COMPLIANCE      FIT / FUNCTION			CHECKED	SIZE	REV
TOTAL ON DRAWING				B	A
LAST NUMBER USED			DO NOT SCALE DRAWING	PART NO. 003	DWG. NO. 003
			SCALE 1:1	SHEET 1 OF 1	

REFERENCE DRAWINGS	NUMBER



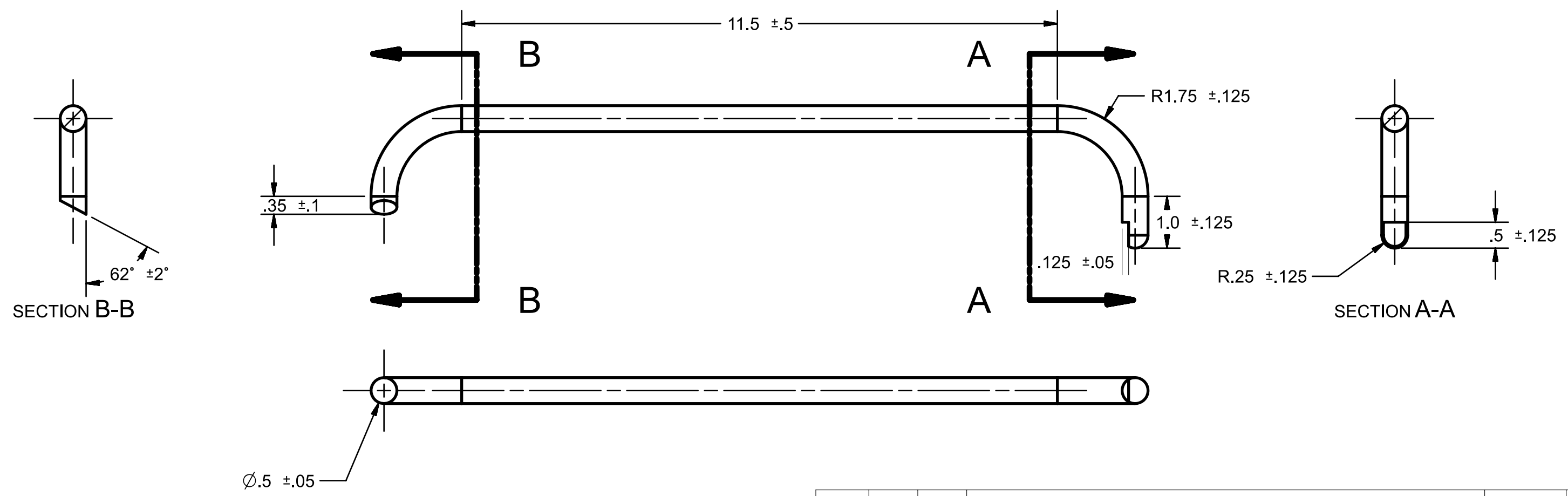
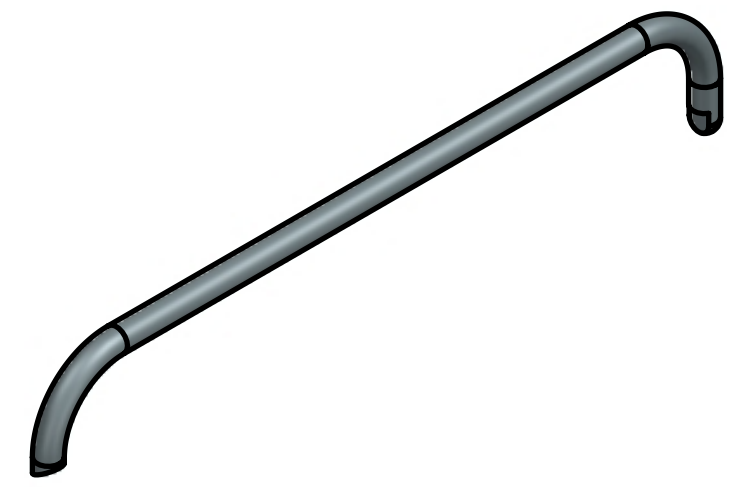
DIMENSIONS ARE IN INCHES

TOLERANCES ARE:	DECIMALS	ANGLES	SURFACE FINISH
.XX ± .02		± .5°	64 ✓
.XXX ± .010			
MACHINED/PART FEATURES	CAST FEATURES		
.02	.06		

- UNLESS OTHERWISE SPECIFIED:
- WHERE DIMENSIONS ARE SPECIFIED ON THE DRAWING, THE DRAWING IS THE AUTHORITY FOR DIMENSIONAL VALUES.
  - WHERE DIMENSIONS ARE NOT SPECIFIED ON THE DRAWING, THE DIGITAL MODEL IS THE AUTHORITY FOR DIMENSIONAL VALUES.
  - DIMENSIONS OBTAINED FROM THE MODEL ARE BASIC AND ARE ROUNDED TO TWO DECIMAL PLACES.
  - FEATURES OBTAINED FROM THE DIGITAL MODEL CAN BE QUALIFIED TO THE PROFILE TOLERANCE AS STATED ABOVE.
  - THE DIGITAL MODEL MUST CORRESPOND TO THE REV LEVEL OF THE DRAWING

ZONE	REV.	BY	DESCRIPTION	DATE	APPROVED		
REVISION							
MATERIAL		THIRD ANGLE PROJECTION		<b>ET</b> Engineering Technology			
POLYETHYLENE							
FINISH		APPROVALS	DATE	SNAP PLUG			
		COLLIN HILL	10/02/2023				
KEY PRODUCT CHARACTERISTICS		CHECKED		SIZE	PART NO.	DWG. NO.	REV
SAFETY /COMPLIANCE      FIT /FUNCTION				B	004	004	A
TOTAL ON DRAWING		DO NOT SCALE DRAWING		SCALE 1:1	SHEET 1 OF 1		
LAST NUMBER USED							

REFERENCE DRAWINGS	NUMBER



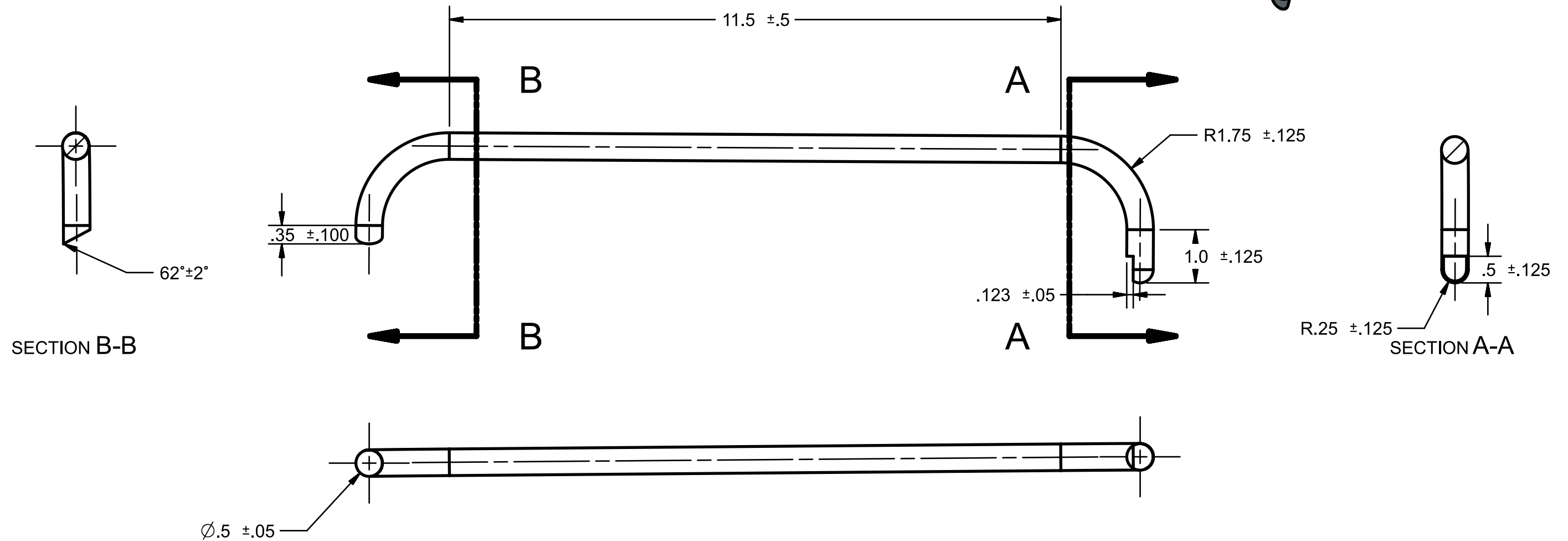
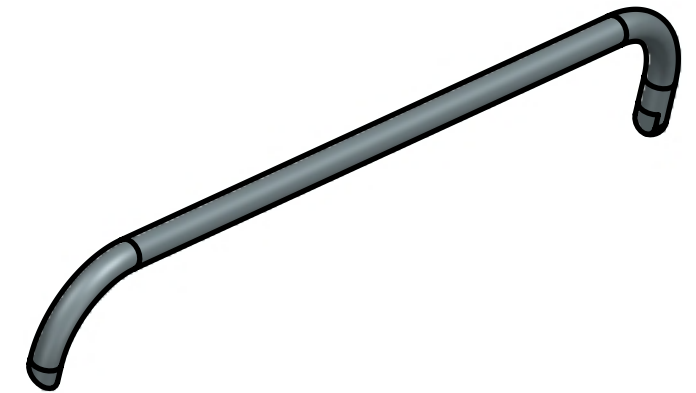
DIMENSIONS ARE IN INCHES

TOLERANCES ARE:	DECIMALS	ANGLES	SURFACE FINISH
	.XX ± .02	± .5°	64
	.XXX ± .010		✓
MACHINED/PART FEATURES	CAST FEATURES		
	.02		.06

- UNLESS OTHERWISE SPECIFIED:
- WHERE DIMENSIONS ARE SPECIFIED ON THE DRAWING, THE DRAWING IS THE AUTHORITY FOR DIMENSIONAL VALUES.
  - WHERE DIMENSIONS ARE NOT SPECIFIED ON THE DRAWING, THE DIGITAL MODEL IS THE AUTHORITY FOR DIMENSIONAL VALUES.
  - DIMENSIONS OBTAINED FROM THE MODEL ARE BASIC AND ARE ROUNDED TO TWO DECIMAL PLACES.
  - FEATURES OBTAINED FROM THE DIGITAL MODEL CAN BE QUALIFIED TO THE PROFILE TOLERANCE AS STATED ABOVE.
  - THE DIGITAL MODEL MUST CORRESPOND TO THE REV LEVEL OF THE DRAWING

ZONE	REV.	BY	DESCRIPTION	DATE	APPROVED
REVISION					
MATERIAL			THIRD ANGLE PROJECTION		
CR1018/500					
FINISH			APPROVALS	DATE	
			COLLIN HILL	10/02/2023	
KEY PRODUCT CHARACTERISTICS			ET Engineering Technology		
SAFETY / COMPLIANCE          FIT / FUNCTION			LEVER ARM		
TOTAL ON DRAWING			SIZE	PART NO.	DWG. NO.
LAST NUMBER USED			B	005	005
DO NOT SCALE DRAWING			SCALE 1:1	SHEET 1 OF 1	

REFERENCE DRAWINGS	NUMBER



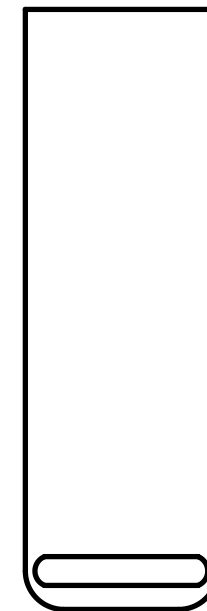
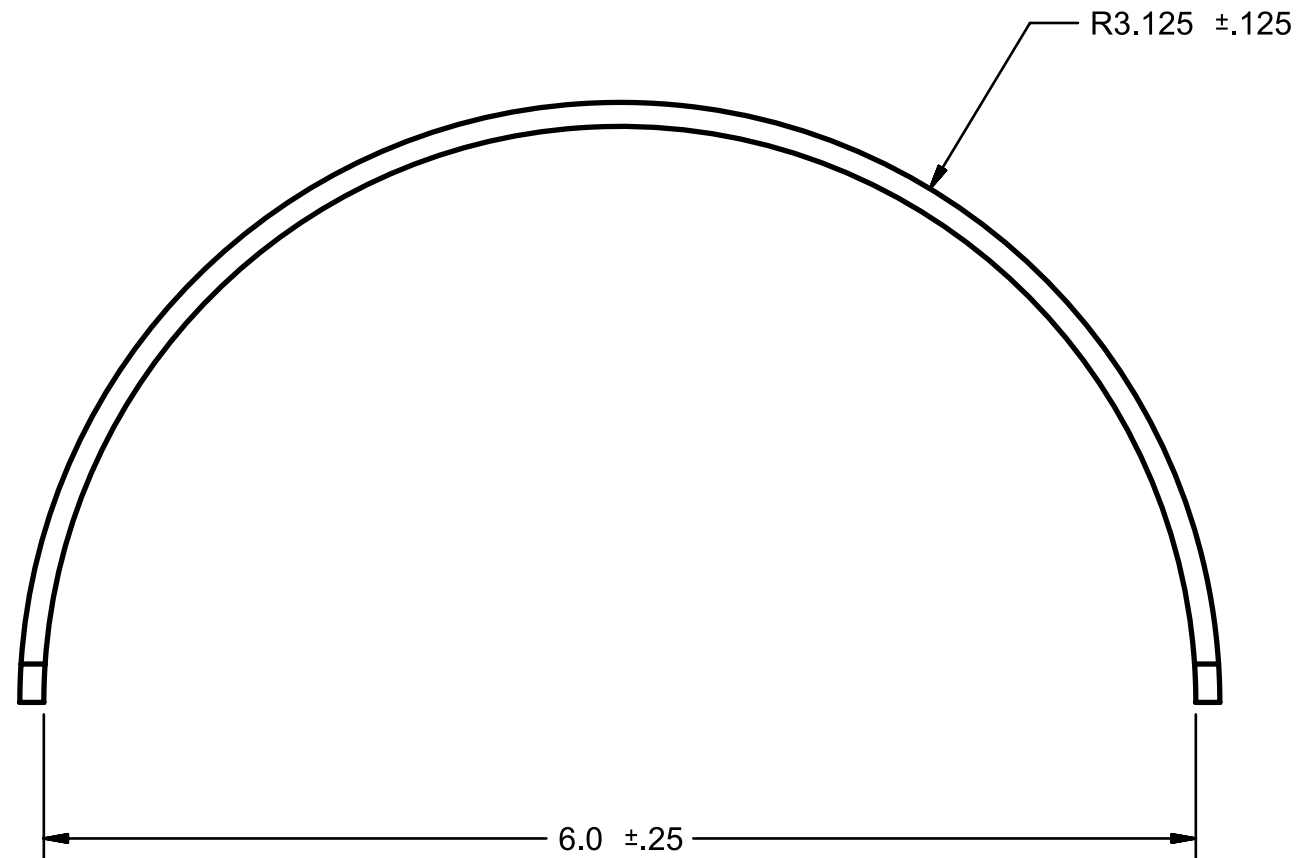
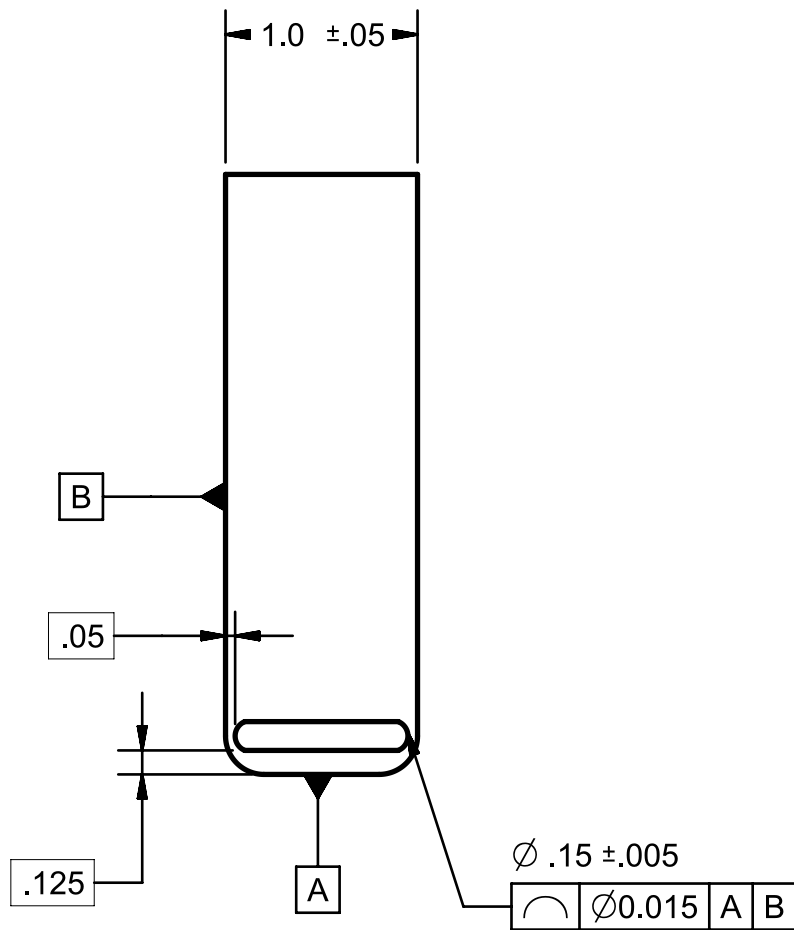
DIMENSIONS ARE IN INCHES

TOLERANCES ARE:	DECIMALS	ANGLES	SURFACE FINISH
.XX ± .02		± .5°	64
.XXX ± .010			✓
MACHINED/PART FEATURES	CAST FEATURES		
.02	.06		

- UNLESS OTHERWISE SPECIFIED:
- WHERE DIMENSIONS ARE SPECIFIED ON THE DRAWING, THE DRAWING IS THE AUTHORITY FOR DIMENSIONAL VALUES.
  - WHERE DIMENSIONS ARE NOT SPECIFIED ON THE DRAWING, THE DIGITAL MODEL IS THE AUTHORITY FOR DIMENSIONAL VALUES.
  - DIMENSIONS OBTAINED FROM THE MODEL ARE BASIC AND ARE ROUNDED TO TWO DECIMAL PLACES.
  - FEATURES OBTAINED FROM THE DIGITAL MODEL CAN BE QUALIFIED TO THE PROFILE TOLERANCE AS STATED ABOVE.
  - THE DIGITAL MODEL MUST CORRESPOND TO THE REV LEVEL OF THE DRAWING

ZONE	REV.	BY	DESCRIPTION	DATE	APPROVED
			REVISION		
MATERIAL		THIRD ANGLE PROJECTION		ET Engineering Technology	
CR1018/500		APPROVALS	DATE	LEVER ARM MIRROR	
FINISH		COLLIN HILL	10/02/2023		
KEY PRODUCT CHARACTERISTICS					
	SAFETY / COMPLIANCE		FIT / FUNCTION	SIZE	REV
TOTAL ON DRAWING		DO NOT SCALE DRAWING		B	A
LAST NUMBER USED		SCALE 1:1		PART NO. 006	DWG. NO. 006
		SHEET 1 OF 1			

REFERENCE DRAWINGS	NUMBER
--------------------	--------



DIMENSIONS ARE IN INCHES

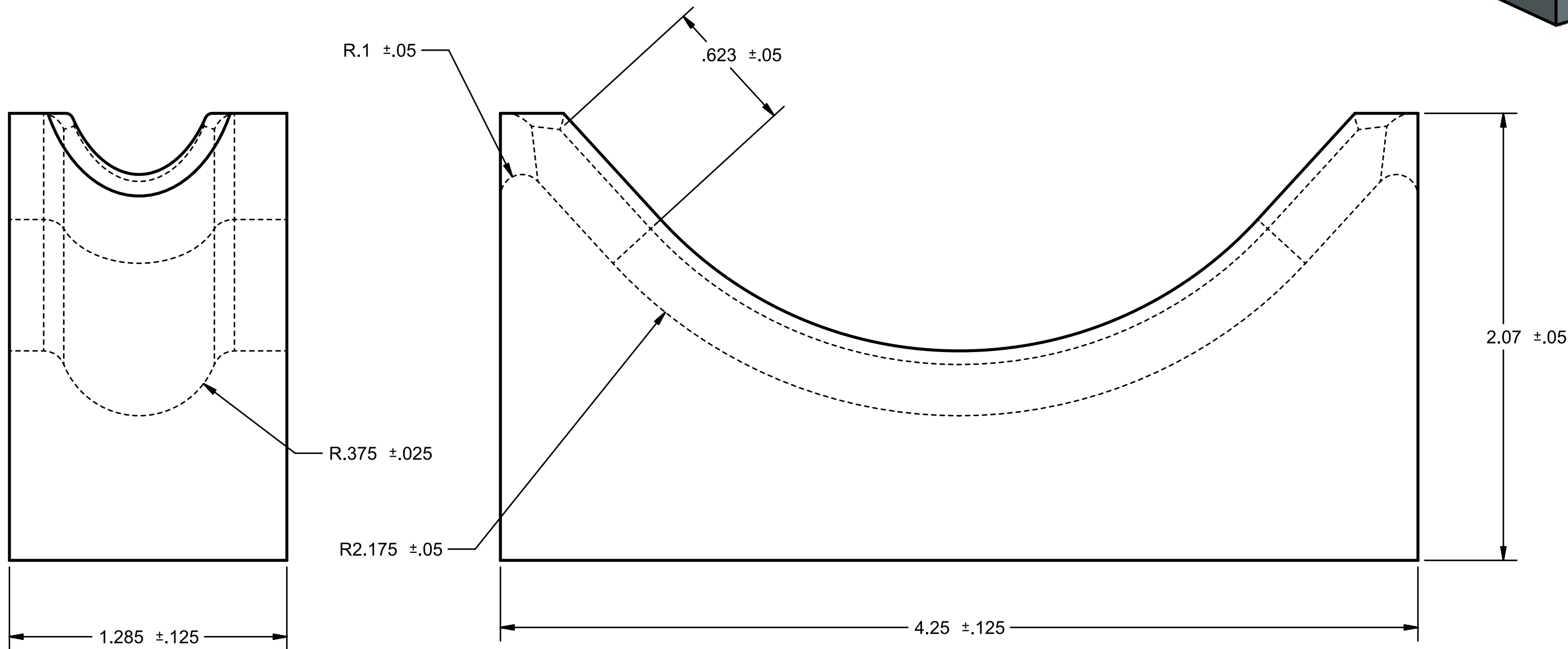
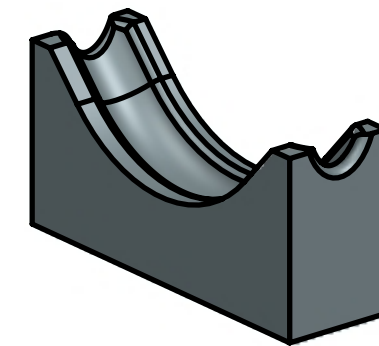
TOLERANCES ARE:	DECIMALS	ANGLES	SURFACE FINISH
	.XX ± .02	± .5°	64
	.XXX ± .010		✓
MACHINED/PART FEATURES	CAST FEATURES		
	.02		.06

- UNLESS OTHERWISE SPECIFIED:
- WHERE DIMENSIONS ARE SPECIFIED ON THE DRAWING, THE DRAWING IS THE AUTHORITY FOR DIMENSIONAL VALUES.
  - WHERE DIMENSIONS ARE NOT SPECIFIED ON THE DRAWING, THE DIGITAL MODEL IS THE AUTHORITY FOR DIMENSIONAL VALUES.
  - DIMENSIONS OBTAINED FROM THE MODEL ARE BASIC AND ARE ROUNDED TO TWO DECIMAL PLACES.
  - FEATURES OBTAINED FROM THE DIGITAL MODEL CAN BE QUALIFIED TO THE PROFILE TOLERANCE AS STATED ABOVE.
  - THE DIGITAL MODEL MUST CORRESPOND TO THE REV LEVEL OF THE DRAWING

ZONE	REV.	BY	DESCRIPTION	DATE	APPROVED	
			REVISION			
MATERIAL	THIRD ANGLE PROJECTION		ET Engineering Technology			
HF/1251	APPROVALS	DATE	ARM PLATE			
FINISH	COLLIN HILL	10/02/2023				
GROUP						
KEY PRODUCT CHARACTERISTICS			SIZE	PART NO.	DWG. NO.	REV
	SAFETY /COMPLIANCE		COLLIN HILL	007	007	A
TOTAL ON DRAWING		DO NOT SCALE DRAWING		SCALE 1:1	SHEET 1 OF 1	
LAST NUMBER USED						

REFERENCE DRAWINGS	NUMBER
--------------------	--------



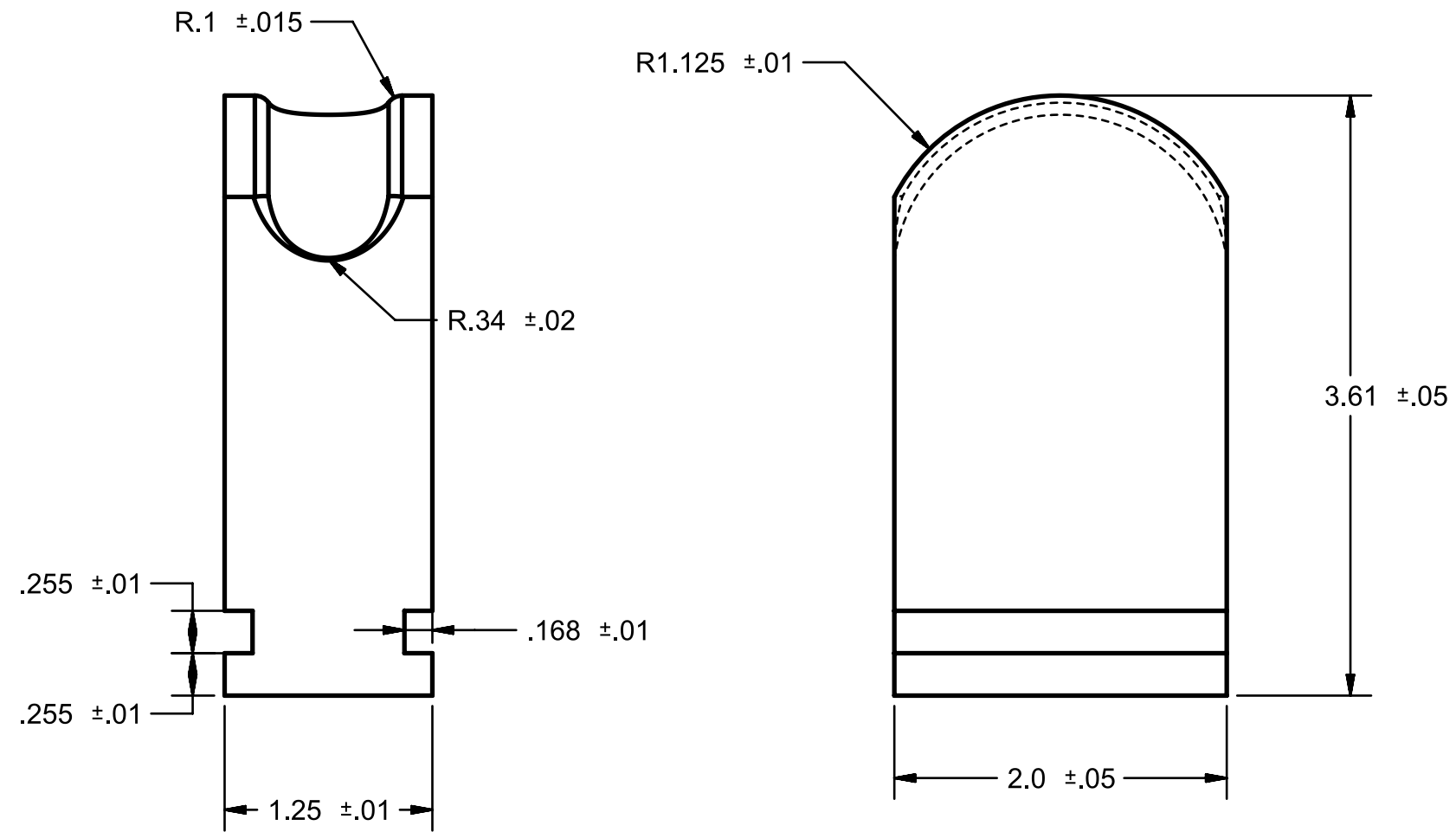
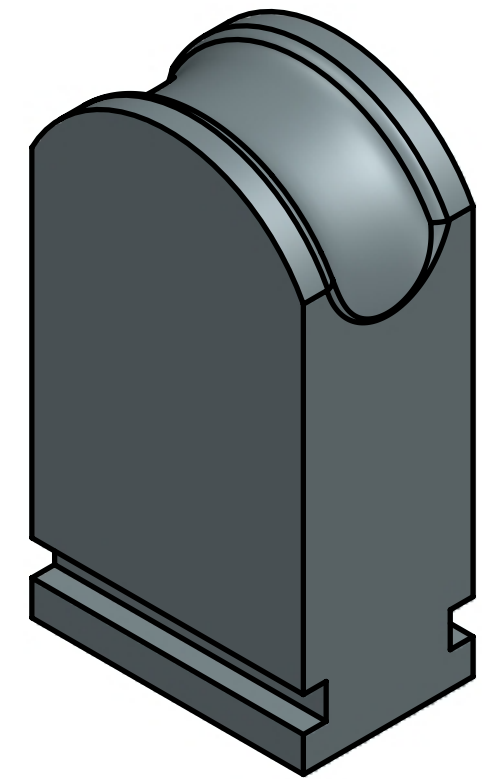


ALL INSIDE CORNERS R 0.1 FILLETS

DIMENSIONS ARE IN INCHES		
TOLERANCES ARE:	ANGLES	SURFACE FINISH
DECIMALS		
.XX ± .02	± .5°	64
.XXX ± .010		✓
MACHINED/PART FEATURES	CAST FEATURES	
.02	.06	

- UNLESS OTHERWISE SPECIFIED:
- 1) WHERE DIMENSIONS ARE SPECIFIED ON THE DRAWING, THE DRAWING IS THE AUTHORITY FOR DIMENSIONAL VALUES.
  - 2) WHERE DIMENSIONS ARE NOT SPECIFIED ON THE DRAWING, THE DIGITAL MODEL IS THE AUTHORITY FOR DIMENSIONAL VALUES.
  - 3) DIMENSIONS OBTAINED FROM THE MODEL ARE BASIC AND ARE ROUNDED TO TWO DECIMAL PLACES.
  - 4) FEATURES OBTAINED FROM THE DIGITAL MODEL CAN BE QUALIFIED TO THE PROFILE TOLERANCE AS STATED ABOVE.
  - 5) THE DIGITAL MODEL MUST CORRESPOND TO THE REV LEVEL OF THE DRAWING

ZONE	REV.	BY	DESCRIPTION	DATE	APPROVED
REVISION					
MATERIAL			THIRD ANGLE PROJECTION		ET Engineering Technology
S7 TOOL STEEL					
FINISH			APPROVALS	DATE	BENDING DIE B SIDE
			COLLIN HILL	10/02/2023	
KEY PRODUCT CHARACTERISTICS			GROUP		
SAFETY / COMPLIANCE		FIT / FUNCTION		CHECKED	SIZE PART NO. DWG. NO. REV
TOTAL ON DRAWING		LAST NUMBER USED		DO NOT SCALE DRAWING	B 008 008 A
REFERENCE DRAWINGS				NUMBER	SHEET 1 OF 1



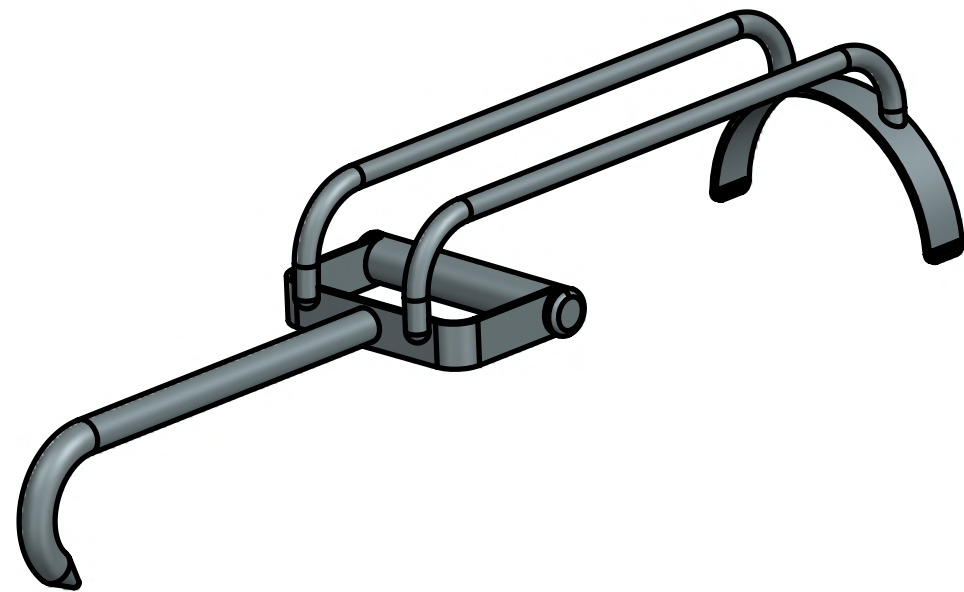
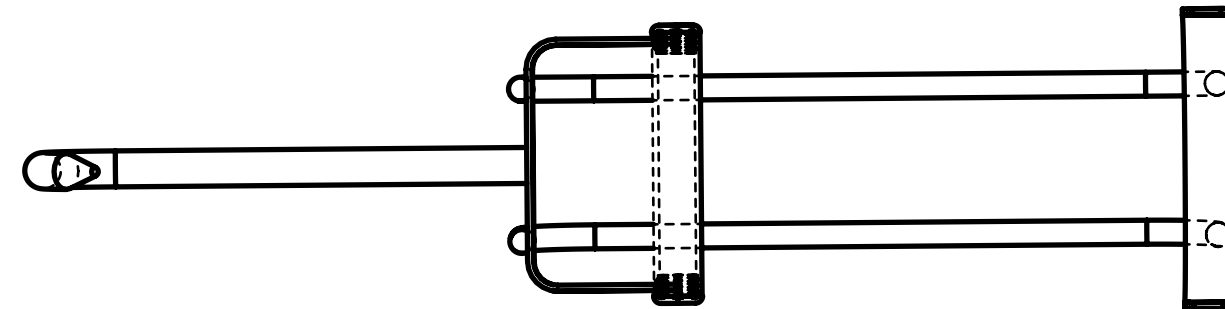
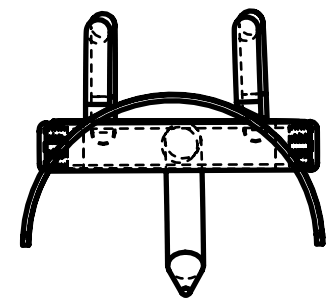
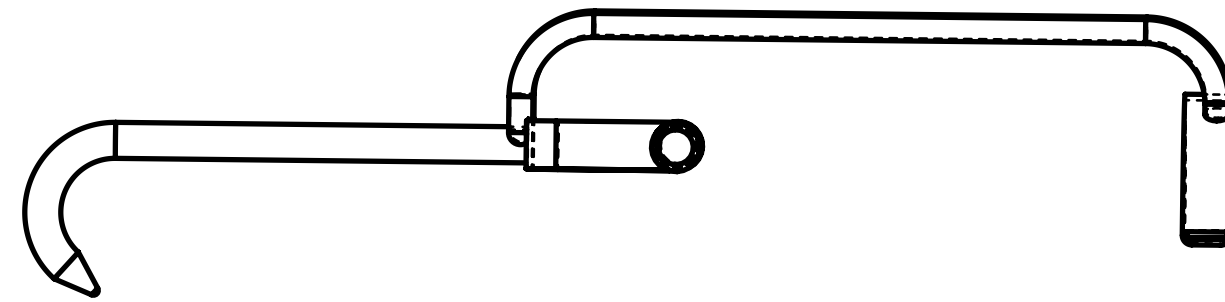
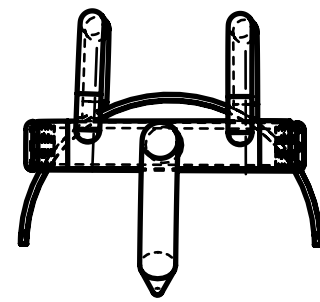
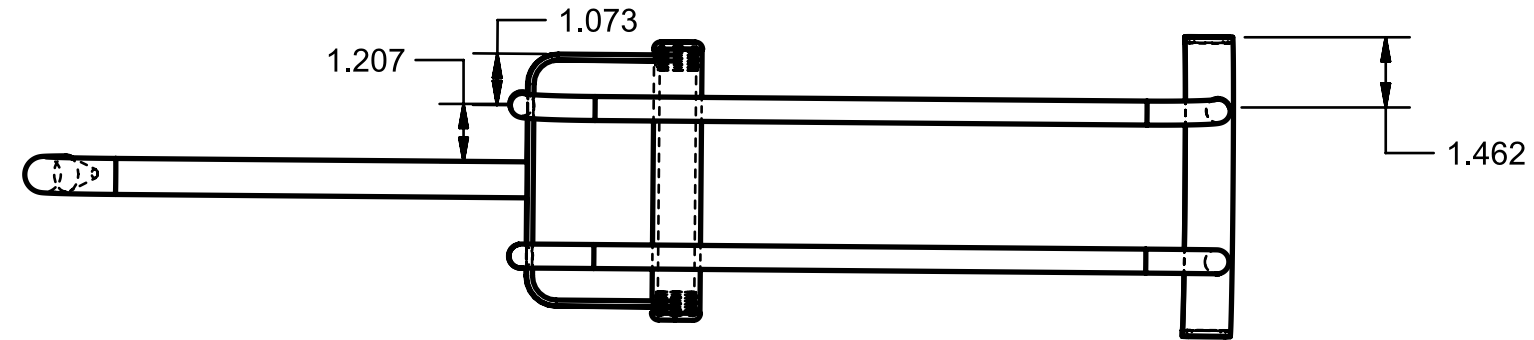
ALL INSIDE CORNERS R0.1 FILLETS

DIMENSIONS ARE IN INCHES		
TOLERANCES ARE:	DECIMALS	ANGLES
	.XX ± .02	± .5°
	.XXX ± .010	
MACHINED/PART FEATURES	CAST FEATURES	SURFACE FINISH
		64
		✓

- UNLESS OTHERWISE SPECIFIED:
- WHERE DIMENSIONS ARE SPECIFIED ON THE DRAWING, THE DRAWING IS THE AUTHORITY FOR DIMENSIONAL VALUES.
  - WHERE DIMENSIONS ARE NOT SPECIFIED ON THE DRAWING, THE DIGITAL MODEL IS THE AUTHORITY FOR DIMENSIONAL VALUES.
  - DIMENSIONS OBTAINED FROM THE MODEL ARE BASIC AND ARE ROUNDED TO TWO DECIMAL PLACES.
  - FEATURES OBTAINED FROM THE DIGITAL MODEL CAN BE QUALIFIED TO THE PROFILE TOLERANCE AS STATED ABOVE.
  - THE DIGITAL MODEL MUST CORRESPOND TO THE REV LEVEL OF THE DRAWING

ZONE	REV.	BY	DESCRIPTION	DATE	APPROVED
REVISION					
MATERIAL			THIRD ANGLE PROJECTION		
S7 TOOL STEEL					
FINISH			APPROVALS	DATE	<b>ET</b> Engineering Technology  BENDING DIE A SIDE
			COLLIN HILL	10/03/2023	
KEY PRODUCT CHARACTERISTICS			CHECKED		
SAFETY /COMPLIANCE            FIT /FUNCTION			SIZE PART NO. DWG. NO. REV B 009 009 A		
TOTAL ON DRAWING			DO NOT SCALE DRAWING		SCALE 1:1
LAST NUMBER USED					SHEET 1 OF 1

REFERENCE DRAWINGS	NUMBER
--------------------	--------



DIMENSIONS ARE IN INCHES

TOLERANCES ARE:		SURFACE FINISH
DECIMALS	ANGLES	64
.XX ± .02	± .5°	✓
.XXX ± .010	CAST FEATURES	
MACHINED/PART FEATURES	CAST FEATURES	
$\square$ .02	$\square$ .06	

- UNLESS OTHERWISE SPECIFIED:
- 1) WHERE DIMENSIONS ARE SPECIFIED ON THE DRAWING, THE DRAWING IS THE AUTHORITY FOR DIMENSIONAL VALUES.
  - 2) WHERE DIMENSIONS ARE NOT SPECIFIED ON THE DRAWING, THE DIGITAL MODEL IS THE AUTHORITY FOR DIMENSIONAL VALUES.
  - 3) DIMENSIONS OBTAINED FROM THE MODEL ARE BASIC AND ARE ROUNDED TO TWO DECIMAL PLACES.
  - 4) FEATURES OBTAINED FROM THE DIGITAL MODEL CAN BE QUALIFIED TO THE PROFILE TOLERANCE AS STATED ABOVE.
  - 5) THE DIGITAL MODEL MUST CORRESPOND TO THE REV LEVEL OF THE DRAWING

ZONE	REV.	BY	DESCRIPTION	DATE	APPROVED
REVISION					
MATERIAL			THIRD ANGLE PROJECTION	ET Engineering Technology	
MIXED STEEL			APPROVALS	DATE	
FINISH			COLLIN HILL	10/16/2023	HAY HOOK ASSEMBLY
KEY PRODUCT CHARACTERISTICS			CHECKED	SIZE	PART NO.
SAFETY / COMPLIANCE				B	010
FIT / FUNCTION				DWG. NO.	010
TOTAL ON DRAWING			DO NOT SCALE DRAWING		SCALE 1:1
LAST NUMBER USED					SHEET 1 OF 1
			REV		A

REFERENCE DRAWINGS	NUMBER

1	HOOK	1
2	SHEILD	1
3	HANDLE	1
4	9283K29_POLYETHYLENE PLASTIC SNAP-IN ROUND PLUG_STEP	2
5	ARM_PLATE	1
6	LEVER_ARM	1
7	MIRROR_RIGHTLEVER_ARM	1
PC NO	PART NAME	QTY

